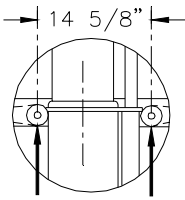
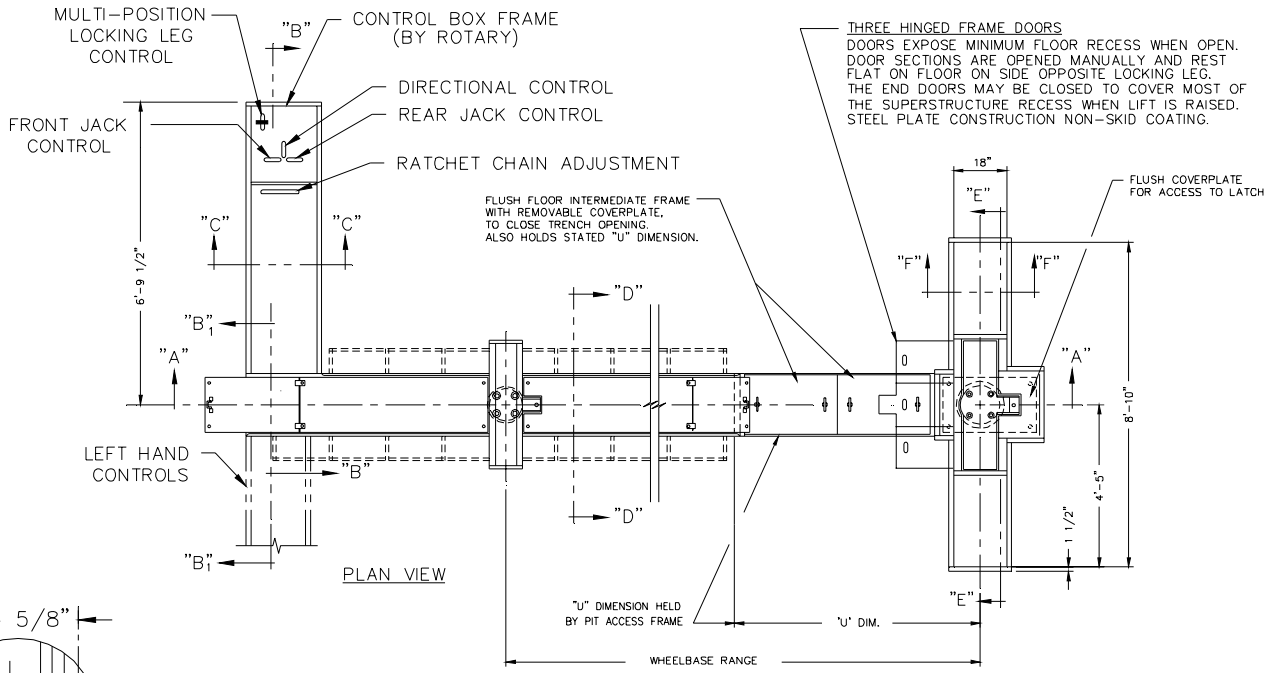


# 70HC Plan and Elevation



12,500 lbs. VERTICAL REACTION EACH OF (4) WHEELS INCLUDES IMPACT  
**DETAIL ONE**

